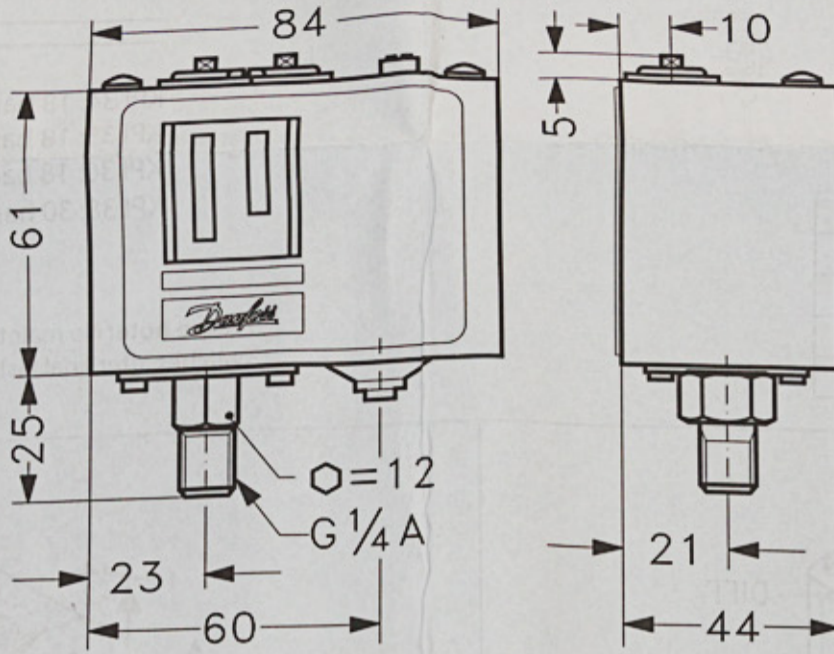


Installation guide

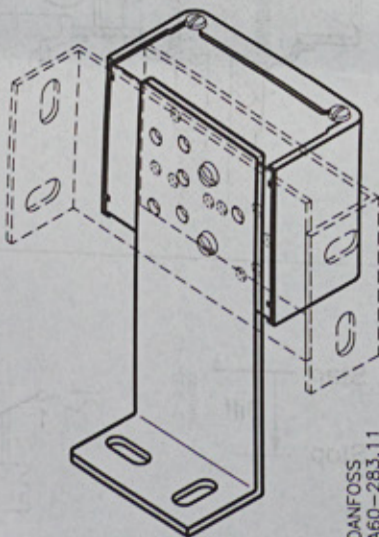
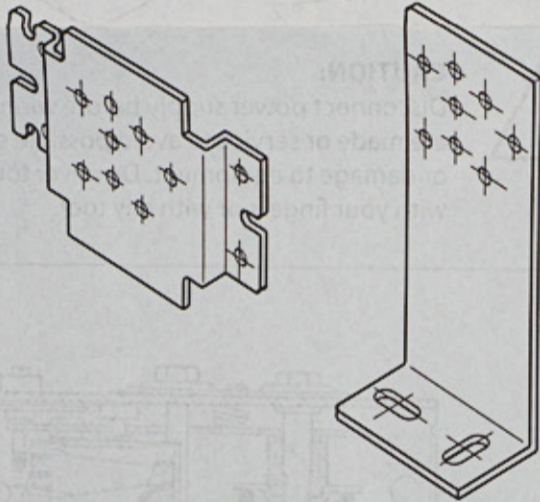
Pressure switch

Type KPI 34, KPI 35, KPI 36 and KPI 38

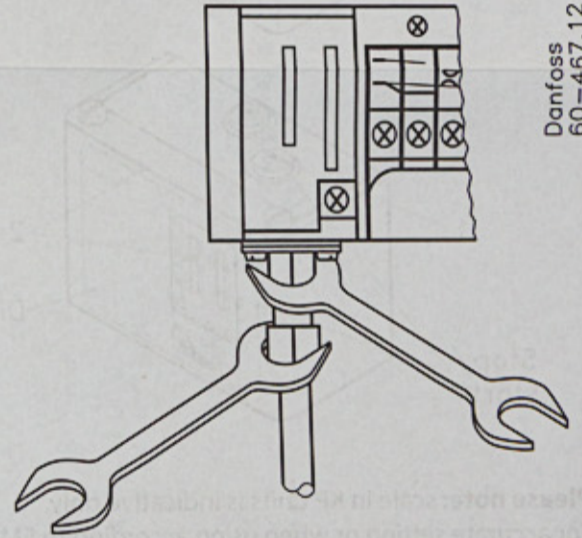
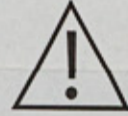
060R9308



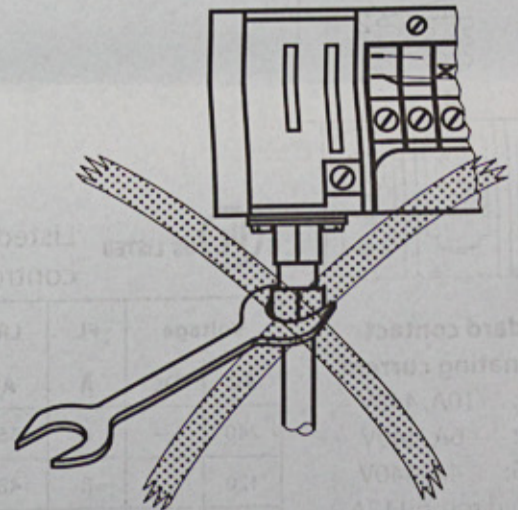
DANFOSS
A60-823.10.10



DANFOSS
A60-283.11

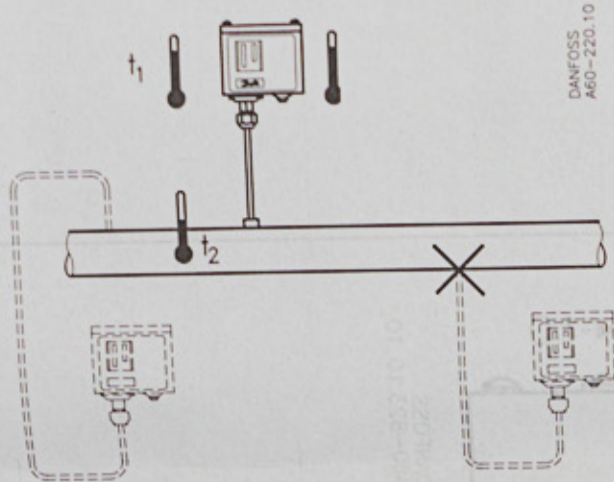


Danfoss
60-467.12



DANFOSS
A60-468.12

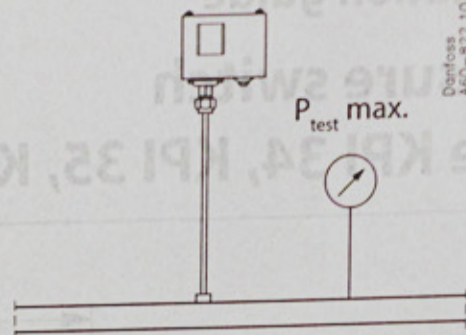
060R9308



DANFOSS
A60-220.10

KPI 34, KPI 35, KPI 36, KPI 38

t_1 min. -40 °C
 t_1 max. 65 °C
 t_2 min. -40 °C
 t_2 max. 100 °C

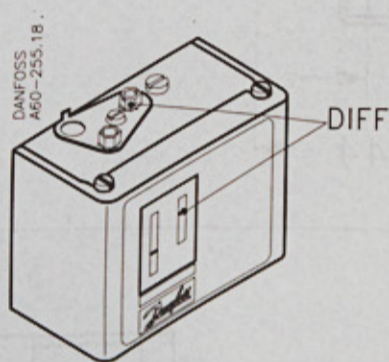


DANFOSS
A60-822.10

KPI 34: 18 bar
 KPI 35: 18 bar
 KPI 36: 18 bar
 KPI 38: 30 bar

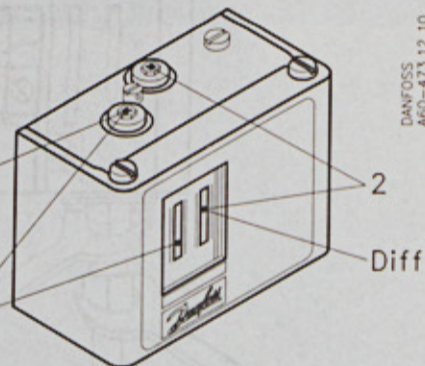
Type	Range	Diff.
KPI 34	-0.2 – 3 bar	0.5 – 1.25 bar
KPI 35	-0.2 – 8 bar	0.4 – 2 bar
KPI 36	4 – 12 bar	0.5 – 1.6 bar
KPI 38	8 – 28 bar	1.8 – 6 bar

Please note: No maintenance is required for the switches after final installation.



DANFOSS
A60-255.18

DIFF

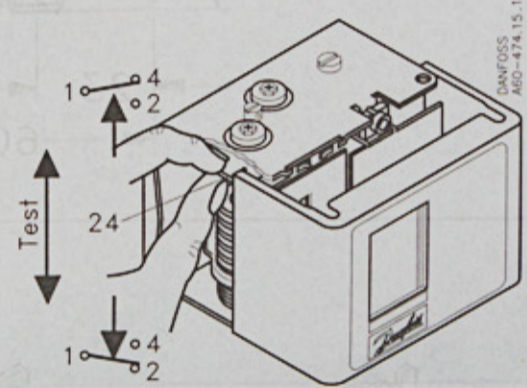


DANFOSS
A60-473.12.10

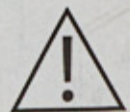
Diff.

Stop/
start

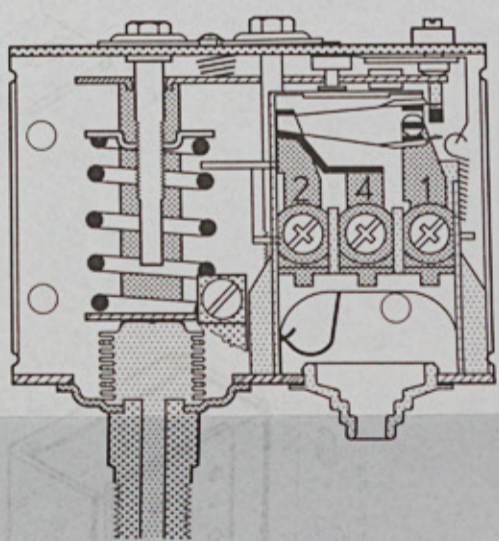
Please note: scale in KP units is indicative only. For accurate setting or when using according to FM approval use additional pressure gauge to set the unit.



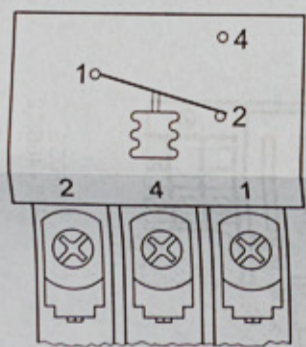
DANFOSS
A60-474.15.10



CAUTION: Disconnect power supply before wiring connections are made or service to avoid possible electrical shock or damage to equipment. Do never touch live parts with your fingers or with any tool.



Danfoss
A60-776.16



Danfoss
60-1327.10

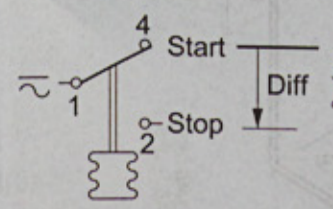
UL US LISTED Listed refrigeration controller 61B5

Standard contact Alternating current
 AC-1: 10A, 440V
 AC-3: 6A, 440V
 AC-15: 4A, 440V
 Blocked rotor: 112A

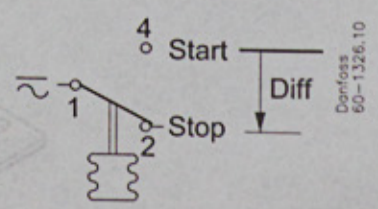
Voltage		FL	LR	Resist. load	Pilot duty
AC	DC	A	A		
240	—	6	36	8A	3A
120	—	8	48		
—	240	—	—	—	12W

Direct current:
 DC-13, 12W, 220V

Use copper wire only
 Tightening torque 20 lb. in.



Danfoss
60-1325.10



Danfoss
60-1326.10